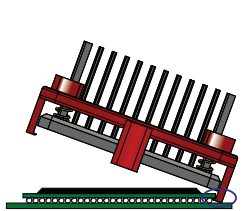


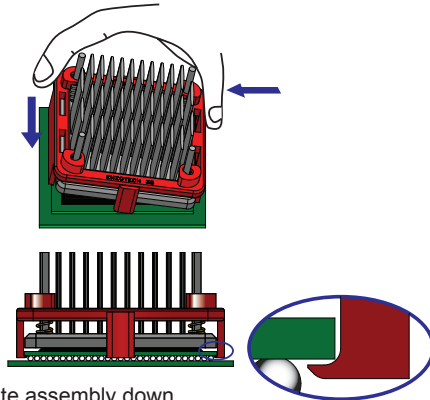
Uni - Holder[®] Heat sink

Assembly Instruction

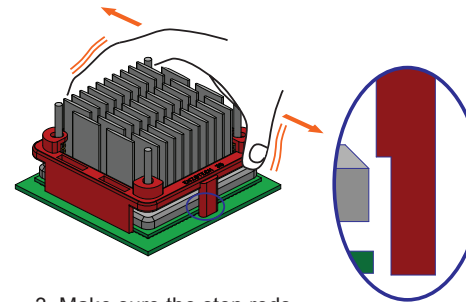
Installation



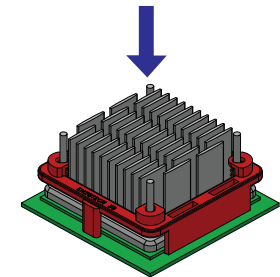
1. Hook the clip under one side of the BGA chip set.



2. Rotate assembly down until opposite side clip engages substrate edge of BGA chip set.

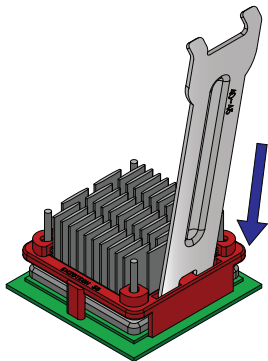


3. Make sure the stop rods are clearing from edges of the BGA chip set.

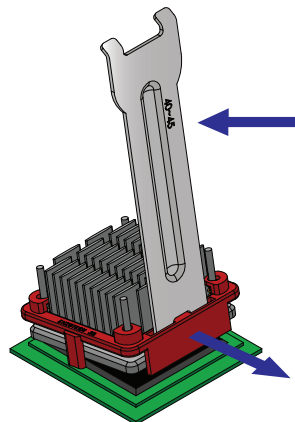


4. Press firmly down to make sure clips fully engage edges of chip set. Heat sink should not be moved around easily.

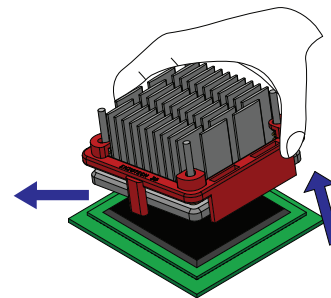
Removing



1. Use the flat tip tool to engage one of the clip slots.



2. Using moderate pressure, use the tool to leverage the clip off the BGA chip set.



3. Carefully disengage opposite side clip and remove the heat sink assembly from the clip set.

